

XGMA



Introduction of 10.0/12.0Ton
internal combustion counterbalance

FORKLIFT TRUCK

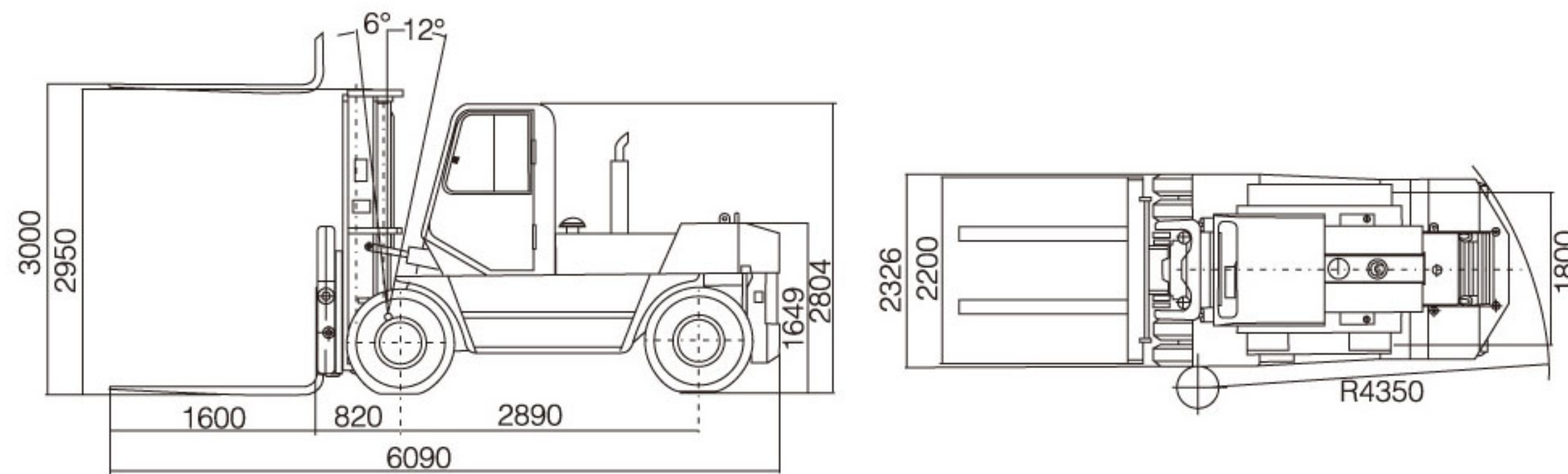
- Large torque and Low fuel consumption
- Flexible and easy steering operation
- Hydraulic torque transmission ensures stable driving
- Enhanced mast and fork



Exclusive products of Chinese Antarctic expedition.

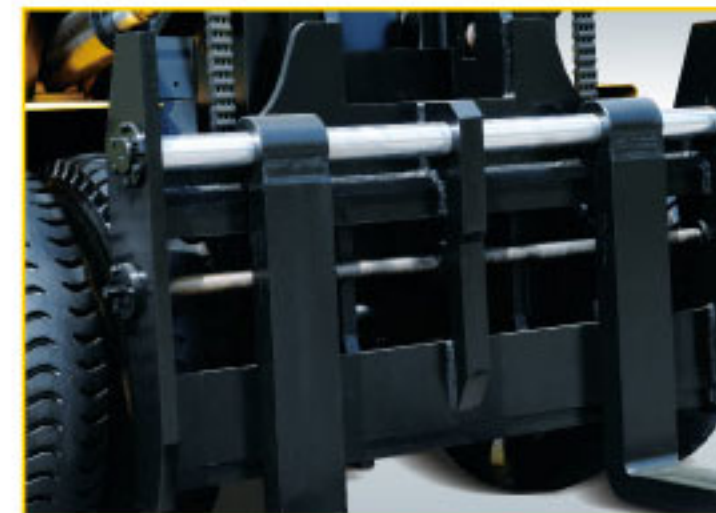
Introduction of 10.0/12.0Ton internal combustion counterbalance forklift

XG5100-DT1 XG5120-DT1



Excellent performance

- Equipped with Luotuo LR6108G59 engine with enough power, large torque, strong overload capacity, reliable operation and low oil consumption, etc; Original Isuzu 6BG1QP engine is optional;
- Full-hydraulic steering system with Lateral steering cylinder is easy and reliable for steering.
- Hydraulic torque transmission ensures stable driving.
- Braking system: A gas-powered oil brake system with shoe brake ensure light and reliable operation.
- Reinforced design of mast and forklift, capable of bearing the shock and high-strength work;
- High-position layout of muffler, capable of reducing the back pressure of engine, quickening the engine, double conversion heat radiation.
- The driver seat is adjustable so to increase the operating comfort.



Specifications and overall dimensions

Model	Unit	CPCD100	CPCD120			
Designation		XG5100-DT1	XG5120-DT1			
Rated load	kg	10000	12000			
Load center distance	mm	600				
Maximum lifting height	mm	3000				
Free lifting height	mm	200				
Tilting angle of gantry (forward/back)	°	6/12				
Maximum driving speed	km/h	26				
Gradability (empty-load/full-load)	%	15/20				
Deadweight	kg	15000				
Axle base	mm	2890				
Wheel track(Front wheel/ Rear wheel)	mm	1680/1800				
Tyre	Front wheel	4 × 10.00-20-16PR				
	Rear wheel	2 × 10.00-20-16PR				
Overall dimension: L × W × H	mm	6090 × 2270 × 3050				
Fork: L × W × H	mm	1600 × 180 × 80				
Lifting speed at full load	mm/s	280				
Minimum turning radius	mm	4350				
Minimum ground clearance	mm	235				
Engine	Model	LR6108G59	Japanese Isuzu 6BG1QP	LR6108G59	Japanese Isuzu 6BG1QP	
	Rated power/rotating speed	kw/r.p.m	92/2200	84.6/2200	92/2200	84.6/2200
	Maximum torque/rotating speed	n.m/ r.p.m	460/1400-1600	416.8/1400-1600	460/1400-1600	416.8/1400-1600

XIAMEN XGMA MACHINERY CO.,LTD. XIAMEN XGMA INTERNATIONAL TRADE CO., LTD.

Add: 6th Floor,NO.11,East Hexiang Road, Xiamen,361004, China
Tel: 0086-592-5822737/5822384 Fax: 0086-592-5822378
E-mail:marketing@xiagong.com
<http://www.xgma.com.cn/>

Above pictures are just for reference. Please confirm the size with real products. Contents and specifications are subject to change without notice.