



Paload

by Palazzani

TECHNICAL SHEET PB90.3S

PB 90

ARTICULATED BACKHOE LOADER

ENGINE

Complies with European Directive Model	97/68 CE - STAGE 3 Perkins 1104C - 44TA
Max. power ISO TR14396	HP - kW 124 - 91,3
Regimen adjusted	rpm 2200
Power adjusted CEE 80/1269	HP - kW 118,5 - 87
Power adjusted ISO 9249	HP - kW 118,5 - 87
Number of cylinders - Injection	4 - direct
Intake	Turbo feeded intercooler
Displacement	cc. 4400
Cooling	water
Air filter with double protection	dry
Electrical equipment	volt 12
Free maintenance battery	Ah 105
Self regulated alternator	W 780
Fuel tank capacity	l 100

TRANSMISSION

Hydrostatic transmission at closed circuit, with automatic adjustment of power, axial pistons pump and engine at variable displacement.
Inching pedal control.
Automatic selection of working speed.
4 forward and 2 backward speeds, electrical control on the steering wheel.

SPEED

Slow speeds (Work)		1 st	2 nd automatic
Forwards and backwards	Km/h	0 ÷ 8	0 ÷ 30
High speeds (Eco-Drive)			
Forwards	Km/h	0 ÷ 10	0 ÷ 33

AXLES

With epicycloid reduction gears on all four driving wheels.

Front axle:	rigid with automatic proportional self-locking differential oscillating of a 20° total range steering, with automatic proportional self-locking differential. Axle oscillation lock with hydraulic control.
Rear axle:	

BRAKES

Duty brakes:	with hydraulic control and servobrake, autoregistrating multiple disks under oil bath.
Parking brakes:	manually operated, multiple disks under oil bath.

HYDRAULIC SYSTEM

Composed by: 2 hydraulic pumps, with flow regulation through primary valve, controlled by load sensing system, modular distributor with principal shock-proof and anticavitation valve.
Pressurised circuit.

Max pumps capacity	150 l
Max pump pressure	225 Kg/cm ²
Loader lifting cylinder	Bore x Stroke 95 x 675 mm
Loader bucket cylinder	Bore x Stroke 110 x 400 mm
Hydraulic cycle time	10"
Oil tank capacity, circuit included	110 Kg

STEERING

Servoassisted, with hydroguide and articulated chassis. Total steering angle of 80°. The hydraulic system is "Load Sensing" equipped.

Steering radius interior tyres	2400 mm
Steering radius exterior tyres	4600 mm
Steering radius exterior bucket	5000 mm

TYRES

Standard:	405/70 x 24	14 Pr
	16/70 x 24	
Optional:	narrow type	455/70 x 24 radial
Optional:	wide type "plus"	15,5 x 25 radial
Other models on request.		

LOADER

Single servocontrol lever for arm and bucket.
"Z" boom kinematism.

Standard bucket capacity	1,50 m ³
Standard bucket width	2400 mm
Breakout force	8150 kg
Lifting capacity at max height	3800 kg

BACKHOE

Double hydraulic servocontrol.
Two independent stabilizers with blocking valves.
Side translation with four hydraulic locking devices.
Block of rotation and arm lowering with hydraulic control.

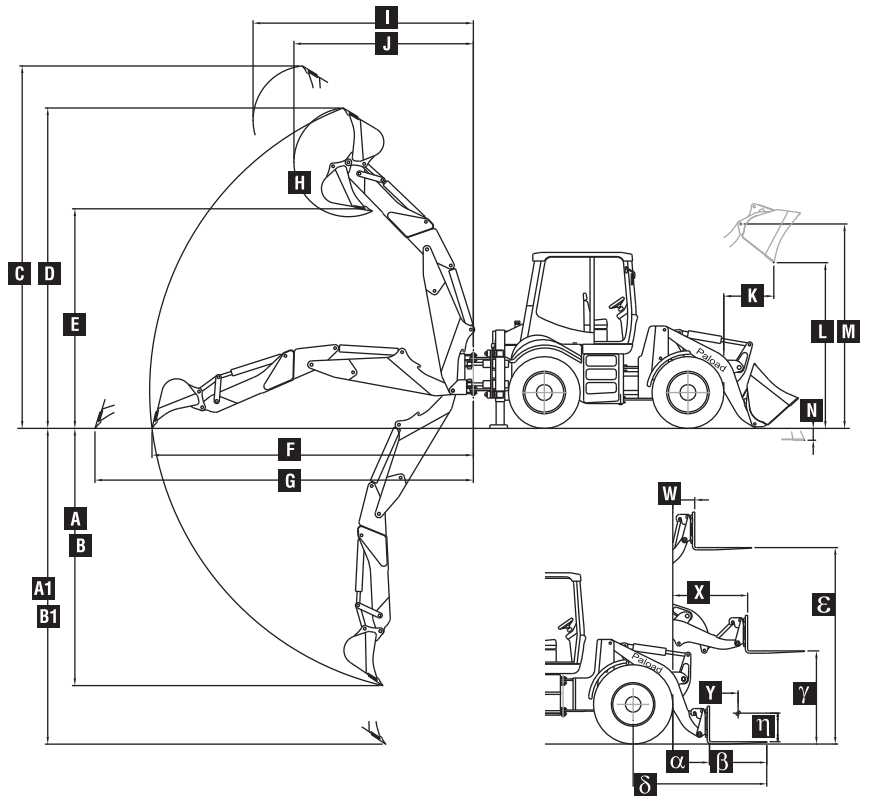
Type	PRE 48
Standard bucket capacity	600 mm
Dipperstick max penetration capacity	250 l
Max breakout force on the bucket tip	4000 kg
Lifting capacity on the bucket pin	6000 kg
A - max digging depth	1750 kg
A1 - max digging depth with telescopic extended	5000 mm
B - standard digging depth	6000 mm
B1 - standard digging depth with telescopic extended	4600 mm
Max dump height	5600 mm
Rotation angle	4200 mm
	180°

DIMENSIONS AND WEIGHTS

Max length in moving position	5845 mm
Max width in moving position	2400 mm
Front and rear track width	1660 mm
Ground clearance	400 mm
External tyres width	2110 mm
Standard operating weight	9000 kg
Max operating weight	9550 kg

STANDARD EQUIPMENT

- > Telescopic dipperstick.
- > Loader servocontrol.
- > Backhoe servocontrol.
- > Automatic proportional self locking differential on front and rear axle.
- > Inching pedal control (transmission speed regulation).
- > Hydraulic servobrake.
- > Antipollution tank plugs.
- > Bucket with screwed teeth.
- > Rotating and downward stop of backhoe boom with hydraulic control.
- > Visual device for shovel positioning.
- > Reverse motion alarm.
- > Battery disconnecting switch.
- > Front and rear work lights.
- > Rotating lamp with magnetic fixing.
- > Shock absorbing and regulating "deluxe type" seat with safety belt.
- > Regulating steering wheel.
- > Heating plant.
- > Air filter in aspiration from outside.
- > Rotoform roof for cabin protection.
- > Front mudguards in rotoform.
- > Unified key for lock and starting.
- > Tool box.
- > Use and maintenance manual, spare parts catalogue.
- > Accessories for road circulation.
- > Road homologation for daily and night circulation.
- > CE Certification.



OPTIONAL EQUIPMENT

ON LOADER

- > Hydraulic quick bucket connection.
- > 4:1 multipurpose bucket.
- > Bucket with sidely unloading.
- > Mixer bucket.
- > Front rotating brush.
- > Teeth blade.
- > Asphalt concrete milling.
- > Universal forks.
- > Theft protection.
- > Snow blade or snow plough.
- > Front arm with hydraulic shredder.
- > Ride control.
- > Air conditioning.

ON BACKHOE

- > Mechanic quick bucket connection.
- > Ditching buckets of different sizes.
- > Trenching buckets of different sizes.
- > Ditch cleaning bucket.
- > Hydraulic hammer.
- > Hydraulic auger.
- > Rubber pads.
- > Hydraulic offset for side digging.

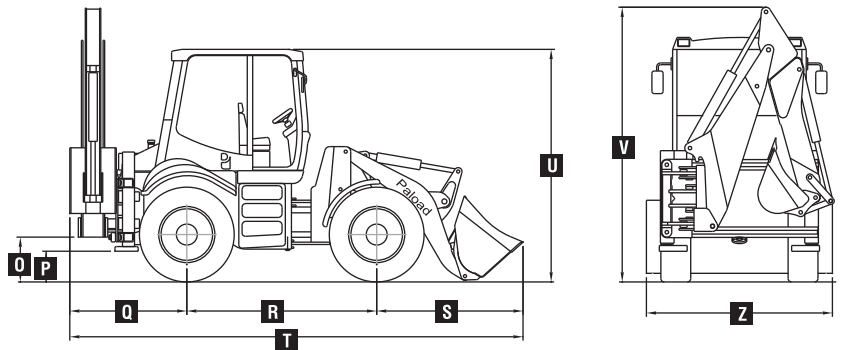
For other accessories and equipment, for characteristics and dimensions, please see the "equipment catalogue".

PALOAD is a mark produced by Palazzani Industrie S.p.A.

OPERATIVE DATA

Operative load with forks EN 474-3 (80%) Kg 3800
 Operative load with forks EN 474-3 (60%) Kg 2850

A	mm 5000	H	202°	W	mm 465	O	mm 580	V	mm 3545
B	mm 4600	I	mm 3755	X	mm 1390	P	mm 400	Z	mm 2400
A1	mm 6000	J	mm 3060	Y	mm 500	Q	mm 1510		
B1	mm 5600	K	mm 850	alpha	mm 800	R	mm 2445		
C	mm 6180	L	mm 2825	beta	mm 1000	S	mm 1890		
D	mm 5465	M	mm 3485	delta	mm 2410	T	mm 5845		
E	mm 3745	N	mm 200	epsilon	mm 3350	U	mm 3000		
F	mm 5480			gamma	mm 1550				
G	mm 6455			eta	mm 500				



N C 255 A 04 Technical sheet PB 90,3 english Rev.04/2005