



Paload
by Palazzani

TECHNICAL SHEET PB80.3S

PB 80

ARTICULATED BACKHOE LOADER

ENGINE

Complies with European Directive	97/68 CE - STAGE 3
Model	Perkins 1104D - E44T
Max. power ISO TR14396	HP - kW 105 - 77
Regimen adjusted	rpm 2400
Power adjusted CEE 80/1269	HP - kW 105 - 77
Number of cylinders	4
Injection	Direct and electronic
Intake	Turbo feeded
Displacement	cc. 4400
Cooling	water
Air filter with double protection	dry
Electrical equipment	volt 12
Free maintenance battery	Ah 105
Self regulated alternator	W 1020
Fuel tank capacity	l 100

TRANSMISSION

Hydrostatic transmission, Bosch Rexroth, at closed circuit, with automatic adjustment of power, axial pistons pump and engine at variable displacement. Inching pedal control.
Mechanic transfer, Dana, at 2 speeds with electric control and electronic activation - 4 speeds.

SPEED

Work speed	1 ^a	2 ^a	Transfer speed	3 ^a	4 ^a
Forwards/Backwards	Km/h 0 - 4,5	0 - 13*	Forwards/Backwards	Km/h 0 - 14	0 - 39*
*Automatic selection			*Automatic selection		

AXLES

With epicycloid reduction gears on all four driving wheels.

Front axle:	rigid with automatic proportional self-locking differential
Rear axle:	oscillating of a 20° total range steering and automatic proportional self-locking differential. Axle oscillation lock with hydraulic control.

BRAKES

Duty brakes:	with hydraulic control and servobrake, autoregistrating multiple disks under oil bath, on both axles.
Parking brakes:	negative, manually operated, multiple disks under oil bath.

HYDRAULIC SYSTEM

Composed by: 2 gears hydraulic pumps, with flow regulation through primary valve, controlled by load sensing system, modular distributor with principal shock-proof and anticavitation valve. Pressurised circuit.

Max pump capacity:	130 l
Max pump pressure:	225 Kg/cm ²
Loader lifting cylinder:	Bore x Stroke 85 x 675 mm
Loader bucket cylinder:	Bore x Stroke 100 x 400 mm
Hydraulic cycle time:	8"
Oil tank capacity, circuit included:	110 Kg

STEERING

Servoassisted, with hydroguide and articulated chassis. Total steering angle of 80°. The hydraulic system is "Load Sensing" equipped.

Steering radius interior tyres	2400 mm
Steering radius exterior tyres	4500 mm
Steering radius exterior bucket	4900 mm

TYRES

Standard:	16/70 x 24	14 Pr
Optional:	405.70 x 24	radial type SPT 9
	17.5L - 24	10 Pr
	plus: 15.5R 25 r	radial type

LOADER

Single servocontrol lever for arm and bucket. "Z" boom kinematism.

Standard bucket capacity	1,10 m ³
Standard bucket width	2200 mm
Breakout force	7500 kg
Lifting capacity at max height	3400 kg

BACKHOE

Two independent stabilizers with blocking valves. Side translation with four hydraulic locking devices. Block of rotation and arm lowering with hydraulic control.

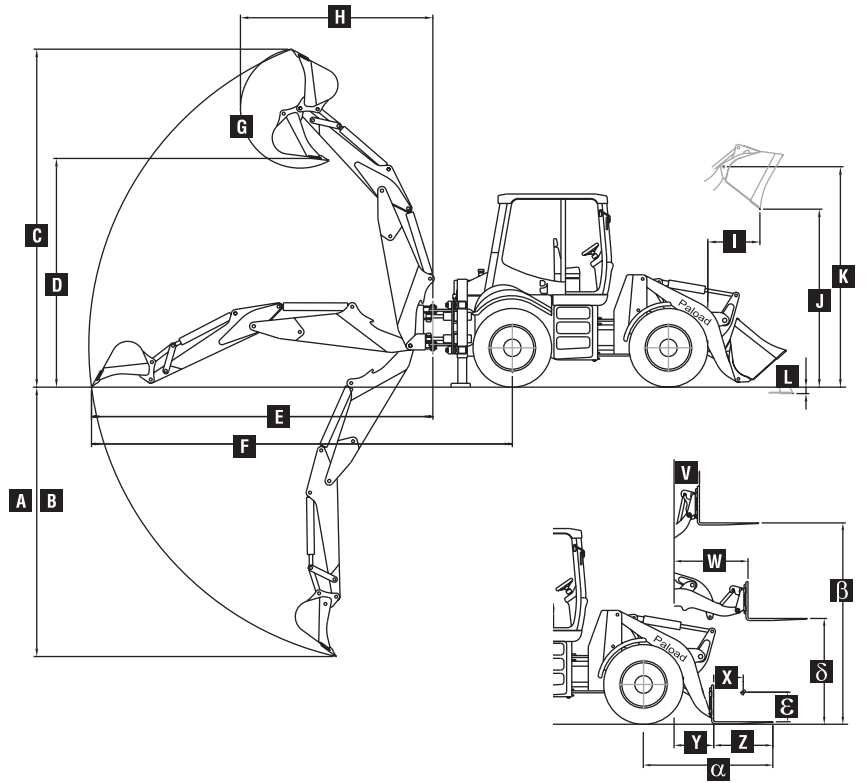
Type	PRE 46
Standard bucket capacity	600 mm
Dipperstick max penetration capacity	220 l
Max breakout force on the bucket tip	3430 kg
Lifting capacity on the bucket pin	5560 kg
A - max digging depth	1440 kg
B - standard digging depth	4800 mm
Max dump height	4400 mm
Rotation angle	4200 mm
	180°

DIMENSIONS AND WEIGHTS

Max length in moving position	5815 mm
Max width in moving position	2200 mm
Front and rear track width	1660 mm
Ground clearance	400 mm
External tyres width	2055 mm
Standard operating weight	8400 kg
Max operating weight	9000 kg

STANDARD EQUIPMENT

- > Loader servocontrol.
- > Automatic proportional self locking differential on front and rear axle.
- > Inching pedal control (transmission speed regulation).
- > Hydraulic servobrake.
- > Antipollution tank plugs.
- > Bucket with screwed teeth.
- > Rotating and downward stop of backhoe boom with hydraulic control.
- > Visual device for shovel positioning.
- > Reverse motion alarm.
- > Battery disconnecting switch.
- > Engine instrumentation with diagnostic lamps.
- > Front and rear work lights.
- > Rotating lamp with magnetic fixing.
- > Shock absorbing and regulating seat with safety belt.
- > Regulating steering wheel.
- > Heating plant.
- > Air filter in aspiration from outside.
- > Rotoform roof for cabin protection.
- > Front mudguards in rotoform.
- > Unified key for lock and starting.
- > Tool box.
- > Use and maintenance manual, spare parts catalogue.
- > Accessories for road circulation.
- > Road homologation for daily and night circulation.
- > CE Certification.



OPTIONAL EQUIPMENT

ON LOADER

- > Hydraulic quick bucket connection.
- > 4:1 multipurpose bucket.
- > Bucket with sidely unloading.
- > Mixer bucket.
- > Front rotating brush.
- > Teeth blade.
- > Asphalt concrete milling.
- > Universal forks.
- > Theft protection.
- > Snow blade or snow plough.
- > Front arm with hydraulic shredder.
- > Ride control.
- > Air conditioning.

ON BACKHOE

- > Mechanic quick bucket connection.
- > Ditching buckets of different sizes.
- > Trenching buckets of different sizes.
- > Ditch cleaning bucket.
- > Hydraulic hammer.
- > Hydraulic auger.
- > Rubber pads.
- > Hydraulic offset for side digging.
- > Telescopic dipperstick.
- > Hydraulic kit for attachment.

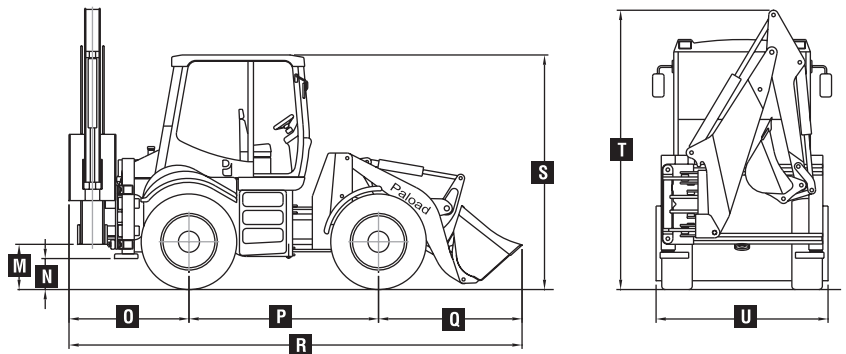
For other accessories and equipment, for characteristics and dimensions, please see the "equipment catalogue".

PALOAD is a mark produced by Palazzani Industrie S.p.A.

OPERATIVE DATA

Operative load with forks EN 474-3 (80%) Kg 3000
Operative load with forks EN 474-3 (60%) Kg 2250

A	mm 4800	J	mm 2750	V	mm 475	M	mm 580	T	mm 3500
B	mm 4400	K	mm 3400	W	mm 1335	N	mm 400	U	mm 2200
C	mm 5250	L	mm 75	Z	mm 1000	O	mm 1535		
D	mm 4200			X	mm 500	P	mm 2445		
E	mm 5300			Y	mm 740	Q	mm 1835		
F	mm 6535			α	mm 2160	R	mm 5815		
G	202°			β	mm 3250	S	mm 3120		
H	mm 3240			δ	mm 1525				
I	mm 875			ε	mm 500				



N C 254 A 04 Technical sheet PB 80.3 S english Rev.02/2010