



Paload
by Palazzani

TECHNICAL SHEET PB 30

PB 30

4 STEERING WHEEL BACKHOE LOADER

ENGINE

| | |
|--------------------------------------|----------------|
| Model | Yanmar 4TNV 88 |
| Max. power | 52 HP |
| Power adjusted at 2600 rpm Din 70020 | 44 HP (32,3kW) |
| Number of cylinders - Injection | 4 - direct |
| Intake | Natural |
| Displacement | cc. 2190 |
| Cooling | water |
| Air filter with double protection | dry |
| Electrical equipment | 12 volt |
| Free maintenance battery | 70 Ah |
| Self regulated alternator | 480 W |
| Fuel tank capacity | 46 l |

TRANSMISSION

Hydrostatic transmission at closed circuit, with automatic adjustment of power, axial pistons pump and engine at variable displacement
Inching pedal control.
Manual selection of working speed.
2 forward and 2 backward speeds, electrical control on the steering wheel.

SPEED

| | | | |
|-----------|------|-----------------------|-----------------------|
| | | 1st | 2nd |
| Forwards | Km/h | 0 ÷ 8 | 0 ÷ 22 |
| Backwards | Km/h | 0 ÷ 8 | 0 ÷ 22 |

AXLES

With epicycloid reduction gears on all four driving wheels.

| | |
|-------------|---|
| Front axle: | steering and oscillating of a 15° total range |
| Rear axle: | steering and fixed to the chassis, with automatic proportional self-locking differential. |

BRAKES

| | |
|-----------------|--|
| Duty brakes: | disk on the transmission shaft with hydraulic feeding pedal control. |
| Parking brakes: | disk on the transmission shaft, manually operated. |

HYDRAULIC SYSTEM

Composed by: hydraulic gear pump, modular distributor with principal shock-proof and anticavitation valve.
Pressurised circuit.

| | |
|-------------------------------------|---------------------------|
| Max pump capacity | 45 l |
| Max pump pressure | 190 Kg/cm ² |
| Loader lifting cylinder: | Bore x Stroke 70 x 425 mm |
| Loader bucket cylinder: | Bore x Stroke 50 x 500 mm |
| Hydraulic cycle time | 9" |
| Oil tank capacity, circuit included | 45 Kg |

STEERING

Servoassisted, with hydroguide, on all 4 wheels.
The hydraulic system is "Load Sensing" equipped.

| | |
|---------------------------------|---------|
| Steering radius interior tyres | 965 mm |
| Steering radius exterior tyres | 2355 mm |
| Steering radius exterior bucket | 2990 mm |

Steering system at 3 functions:

- > 2 front steering wheels
- > 4 steering wheels
- > "CRAB"

TYRES

| | | |
|--------------------------|-----------|-------|
| Standard: | 10 x 16,5 | 8 Pr |
| Optional: | 12 x 16,5 | 10 Pr |
| Other models on request. | | |

LOADER

Single servocontrol lever for arm and bucket.

| | |
|--------------------------------|---------------------|
| Standard bucket capacity | 0,50 m ³ |
| Standard bucket width | 1490 mm |
| Breakout force | 3650 kg |
| Lifting capacity at max height | 2100 kg |

BACKHOE

Two independent stabilizers with blocking valves.
Side translation with four hydraulic locking devices.
Block of rotation and arm lowering with hydraulic control.

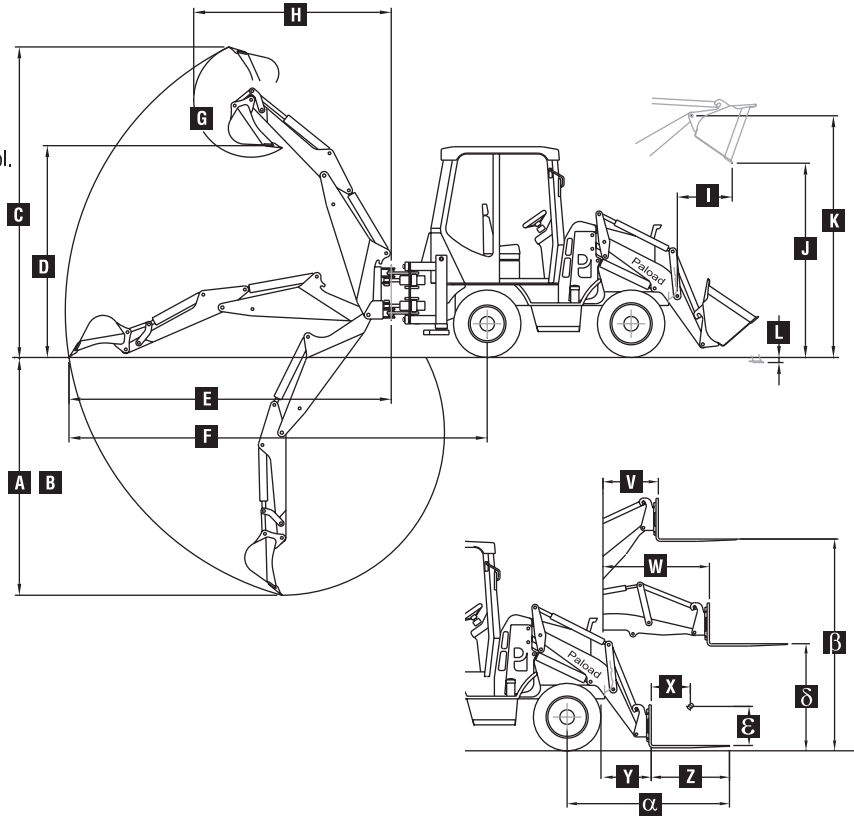
| | |
|--------------------------------------|---------|
| Type | PRE 28 |
| Standard bucket capacity 300 mm | 45 l |
| Dipperstick max penetration capacity | 1450 Kg |
| Max breakout force on the bucket tip | 2720 kg |
| Lifting capacity on the bucket pin | 710 kg |
| A – max digging depth | 2750 mm |
| B – standard digging depth | 2600 mm |
| Max dump height | 2830 mm |
| Standard rotation angle (patented) | 240° |
| Optional rotation angle | 180° |

DIMENSIONS AND WEIGHTS

| | |
|-------------------------------|---------|
| Max length in moving position | 4430 mm |
| Max width in moving position | 1490 mm |
| Front and rear track width | 1100 mm |
| Ground clearance | 365 mm |
| External tyres width | 1407 mm |
| Standard operating weight | 3150 kg |
| Max operating weight | 3800 kg |

STANDARD EQUIPMENT

- > Mechanic quick bucket connection.
- > Loader servocontrol.
- > Automatic proportional self locking differential on rear axle.
- > Inching pedal control (transmission speed regulation).
- > Antipollution tank plugs.
- > Bucket with screwed teeth.
- > Rotating and downward stop of backhoe boom with hydraulic control.
- > Visual device for shovel positioning.
- > Reverse motion alarm.
- > Battery disconnecting switch.
- > Front and rear work lights.
- > Rotating lamp with magnetic fixing.
- > Shock absorbing and regulating seat with safety belt.
- > Regulating steering wheel.
- > Heating plant.
- > Air filter in aspiration from outside.
- > Rotoform roof for cabin protection.
- > Front mudguards in rotoform.
- > Unified key for lock and starting.
- > Tool box.
- > Use and maintenance manual, spare parts catalogue.
- > Accessories for road circulation.
- > Road homologation for daily and night circulation.
- > CE Certification.



OPTIONAL EQUIPMENT

ON LOADER

- > Hydraulic quick bucket connection.
- > 4:1 multipurpose bucket.
- > Mixer bucket.
- > Front rotating brush.
- > Teeth blade.
- > Asphalt concrete milling.
- > Universal forks.
- > Theft protection.
- > Snow blade or snow plough.
- > Metallic canopy ROPS FOPS.
- > Hydraulic high flow plant 92 l/min.
- > Air conditioning.

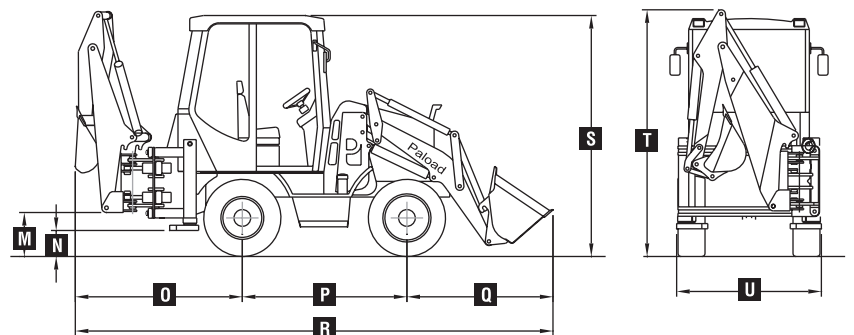
ON BACKHOE

- > Mechanic quick bucket connection.
- > Ditching buckets of different sizes.
- > Trenching buckets of different sizes.
- > Ditch cleaning bucket.
- > Backhoe with angle 180°.
- > Buckets with mech. ejector.
- > Hydraulic hammer.
- > Hydraulic auger.
- > Rubber pads.
- > Telescopic dipperstick.

For other accessories and equipment, for characteristics and dimensions, please see the "equipment catalogue".

PALOAD is a mark produced by Palazzani Industrie S.p.A.

| OPERATIVE DATA | | | | | |
|--|---------|----------|---------|----------|---------|
| Operative load with forks EN 474-3 (80%) Kg 1350 | | | | | |
| Operative load with forks EN 474-3 (60%) Kg 1000 | | | | | |
| A | mm 2750 | J | mm 2200 | V | mm 440 |
| B | mm 2600 | K | mm 2700 | W | mm 1055 |
| C | mm 3910 | L | mm 50 | Z | mm 1000 |
| D | mm 2830 | | | X | mm 500 |
| E | mm 3550 | | | Y | mm 580 |
| F | mm 4570 | | | α | mm 1990 |
| G | 202° | | | β | mm 2555 |
| H | mm 2200 | | | δ | mm 1250 |
| I | mm 650 | | | ε | mm 500 |
| | | | | M | mm 490 |
| | | | | N | mm 365 |
| | | | | O | mm 1485 |
| | | | | P | mm 1575 |
| | | | | Q | mm 1370 |
| | | | | R | mm 4430 |
| | | | | S | mm 2300 |
| | | | | T | mm 2410 |
| | | | | U | mm 1490 |



N C 250 A 04 Technical sheet PB 30 english Rev.05/2006



MACHINE IN CONFORMITY TO THE NEW MACHINES' STANDARDS



We reserve the right to change technical data, so all characteristics are purely indicative. Pictures don't show necessarily the machine in standard version.

COMPANY WITH QUALITY MANAGEMENT SYSTEM CERTIFIED BY DNV =ISO 9001 : 2000=