



HAMMEL
RECYCLINGTECHNIK

Primary Shredder

Diesel / Electric

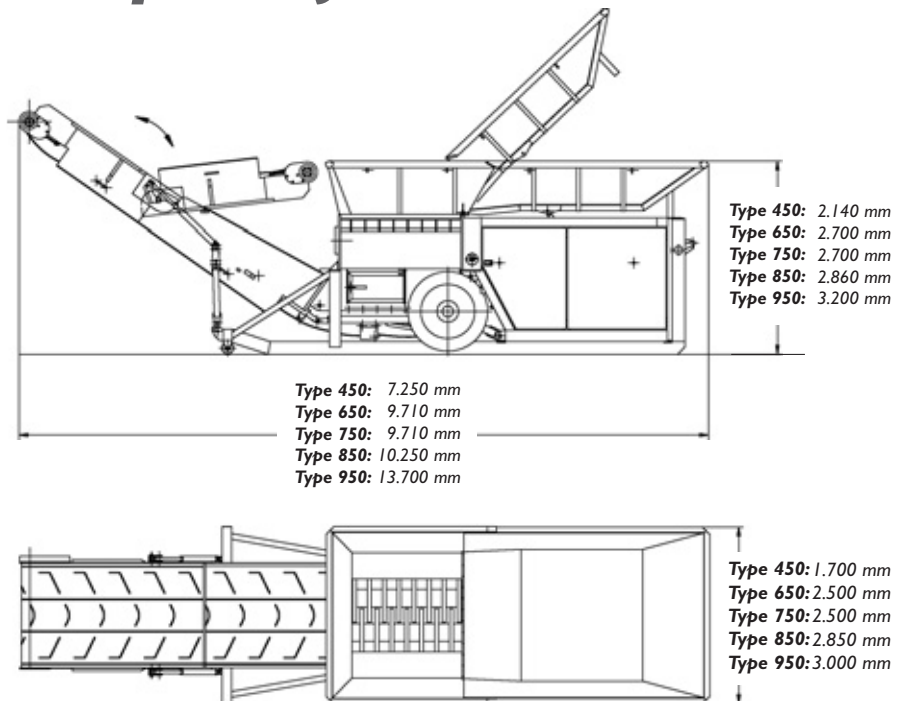
Type 450/650/750/850/950





Technical Specifications

The HAMMEL-primary shredder processes extremely difficult materials like waste wood, railway sleepers, root stems, green waste, industrial- and bulky waste, paper rolls, tyres and car bodies, etc. Due to its robust and clear construction the HAMMEL-shredder is reliable for volume reduction. It is equipped with a slow-speed 2-shaft-system. These shafts turn with a speed of max. 47 rpm. Therefore the HAMMEL-shredder belongs to the extremely slow running shredders and has a huge number of advantages.

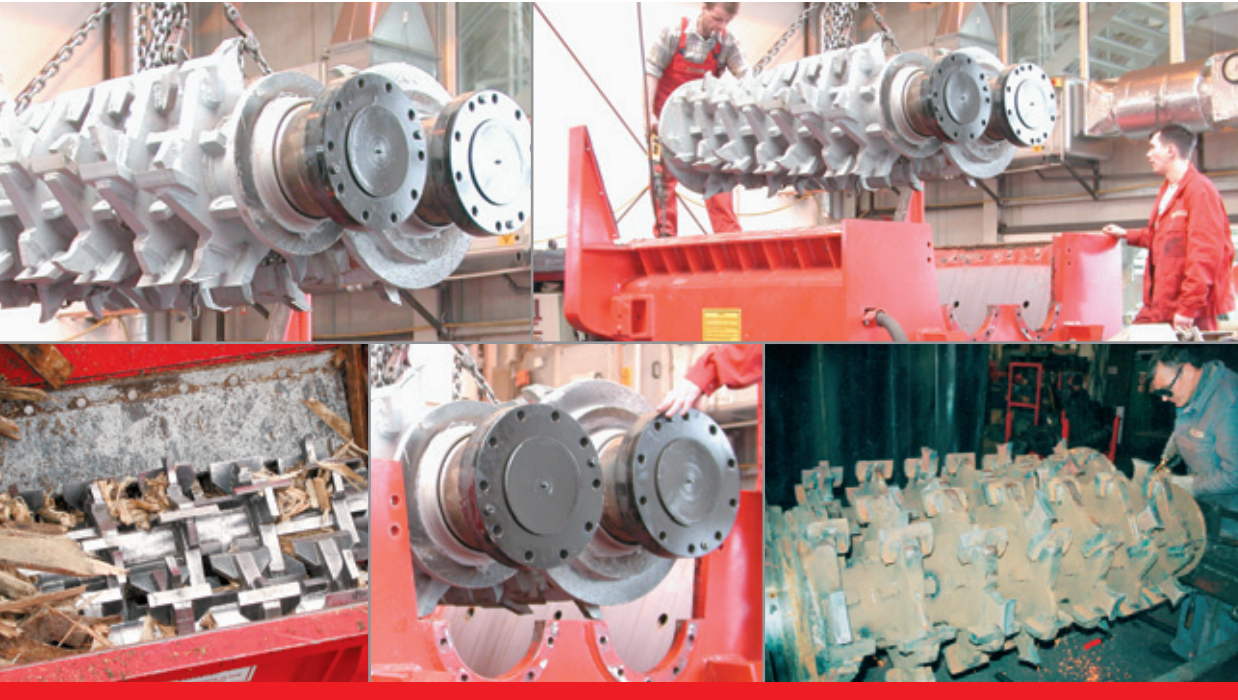


Weights

450 D/E	9 t	450 DK	11 t
650 D/E	15 t	650 DK	19 t
750 D/E	17 t	750 DK	21 t
850 E	25 t	850 DK	34 t
950 E	28 t	950 DK	44 t

ADVANTAGES

- high performance
- very low noise
- minimum of dust generation
- low wear and tear
- long life time of the shredding tools
- no projectiles
- no fire hazard
- highly customizable
- knives are welded on, not screwed on

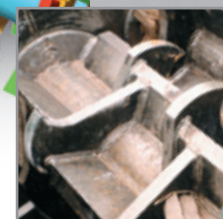
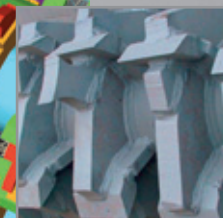


The patented „2-shaft system“

The special, counter-rotating shafts with aggressive hooks and knives pull in the material directly loaded onto the shafts. The input material is ripped, torn and cut and discharges directly from the shafts onto the conveyor belt.

When extremely difficult material like carpets and mattresses or root stems are processed and a hydraulic end pressure is reached, the hydraulically controlled shafts switch automatically into reverse. Therefore the shafts turn backwards, and break the material again, clean the shafts from material, switch automatically again into the forward mode and the normal shredding stage can be continued without even being noticed by the operator. This function guarantees that all material was shredded before it enters the discharge conveyor belt, and rolling up of any stringy material is avoided through this special and fully automatic roll up

protection. The shafts always clean themselves. The final size of the shredded end product depends on various shaft configurations, HAMMEL can provide you with. Generally, an end product size between approx. 150 – 400 mm is achieved. Thanks to our long-term experience in the wood and waste sector the shafts have a long life span of more than thousand operating hours before refurbishing is needed.



The shaft configuration is defined according to the input material and the end product specifications of the customer.





„We are born in wood”

MATERIALS

wood waste / demolition wood
pallets
mixed wood
cable drums
railway sleepers
telephone poles
root stems
green waste

In 1982 the first HAMMEL-machine for shredding root stems was developed. The wood waste recycling market has challenged us until today, so that our shredding technology has been adapted to today's demands and makes the HAMMEL-shredder to a leading primary shredder for all kind of wood in the recycling sector.

We pass on our years of experience by finding the most suitable shaft configuration for every customer and needs.

Very low wear and tear and energy consumption as well as high performances are reached by sophisticated engineering and perfectly matching shafts.

Innovation - Experience - Economy - Satisfaction





Performance Characteristics

Recyclingmaterial	HAMMEL Shredder Type				
	primary shredder*				
	450 D/E	650 D/E	750 D/E	850 D/E	950 D/E
wood waste/demolition wood	10 t/h	30 t/h	60 t/h	100 t/h	190 t/h
pallets	8 t/h	25 t/h	50 t/h	90 t/h	170 t/h
mixed wood	12 t/h	30 t/h	60 t/h	100 t/h	190 t/h
cable drums	6 t/h	25 t/h	40 t/h	60 t/h	130 t/h
railway sleepers		15 t/h	25 t/h	50 t/h	70 t/h
telephone poles		15 t/h	25 t/h	50 t/h	70 t/h
root stems	6 - 8 t/h**	25 t/h	40 t/h	50 t/h	90 t/h
green waste	15 t/h	25 t/h	50 t/h	80 t/h	120 t/h

* performances until approx. With a HAMMEL-primary shredder an end product size between 150 mm – 400 mm can be reached depending on the selected shaft configuration.

** up to Ø 40 mm



stationary plants





„Contact us before you drown in waste!“

At the beginning of the 90's the HAMMEL-shredder has been modified according to the demands of the waste-shredding sector. Due to our long-term experience in processing of different kinds of waste the HAMMEL-shredder was developed further to one of, if not the market leader. Various shaft configurations make it possible that the input materials are pre-shredded to the requested end product size. Our HAMMEL-primary shredders find its use in incineration plants - for fuel production and as primary shredders before sorting lines or just for volume reduction. The input material is pre-shredded to a homogeneous end product by the 2-shaft-system and is therefore perfectly prepared for further applications.

MATERIAL

domestic waste

industrial / commercial waste

bulky waste

C&D

paper

paper rolls

used tyres

car bodies

high caloric fuels

Volume Reduction - Renewable Energy - Profit





Performance Characteristics

Recyclingmaterial	HAMMEL Shredder Type				
	primary shredder*				
	450 D/E	650 D/E	750 D/E	850 D/E	950 D/E
domestic waste	15 t/h	30 t/h	50 t/h	100 t/h	200 t/h
industrial/commercial waste			45 t/h	80 t/h	150 t/h
bulky waste			30 t/h	60 t/h	110 t/h
C&D			35 t/h	80 t/h	150 t/h
paper		10 t/h	20 t/h	45 t/h	70 t/h
paper rolls		10 t/h	15 t/h	30 t/h	60 t/h
used tyres			20 t/h	30 t/h	50 t/h
car bodies					40 - 60 t/h
high caloric fuels 150 mm			15 - 25 t/h	20 - 35 t/h	60 - 80 t/h

* performances up to approx.

With a HAMMEL-primary shredder an end product size between 150 mm – 400 mm can be reached depending on the selected shaft configuration.





Customized to your individual needs

Each machine can be customized to your individual needs to achieve an ideal capacity. Intensive counselling interviews and meetings are the beginning of each project, to reach the most suitable solution concerning throughput and end product size.

Basics

drive

diesel or electric engine



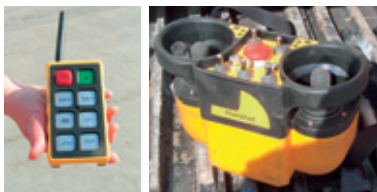
different chassis

stationary, semi-mobile, track system, trailer mounted



remote control

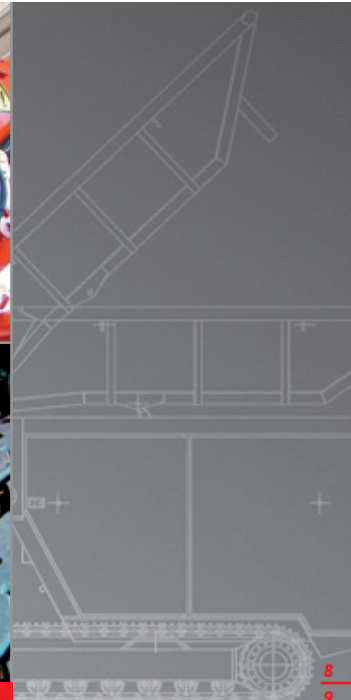
with different customizable functions



tilting hopper

for optimised infeed





Your options

additional equipment

Options

metal separation

permanent-over belt magnet that selects ferrous metal parts



water sprinkling system

for dust minimisation



hopper extension

a higher volume avoids the dropping of the input material



breaker bar

with and without combs, to produce a smaller end product



hydraulically height adjustment

of the discharge belt for a perfect adjustment of the discharge height for optimising of the discharge quantity.



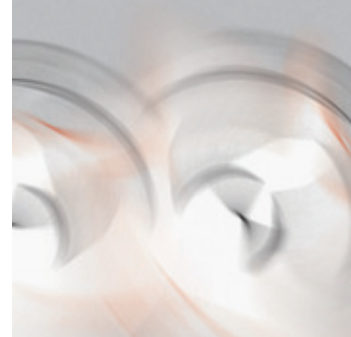
complete plants

stationary plants, sorting cabins, discharge belt – depending on the specifications

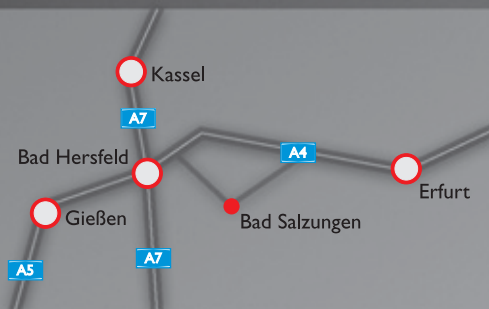


special painting

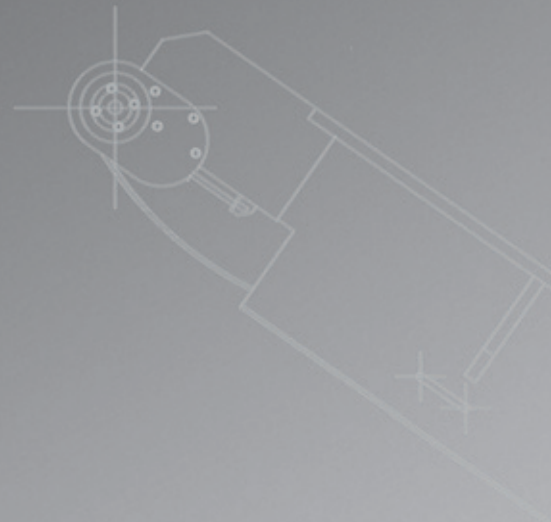
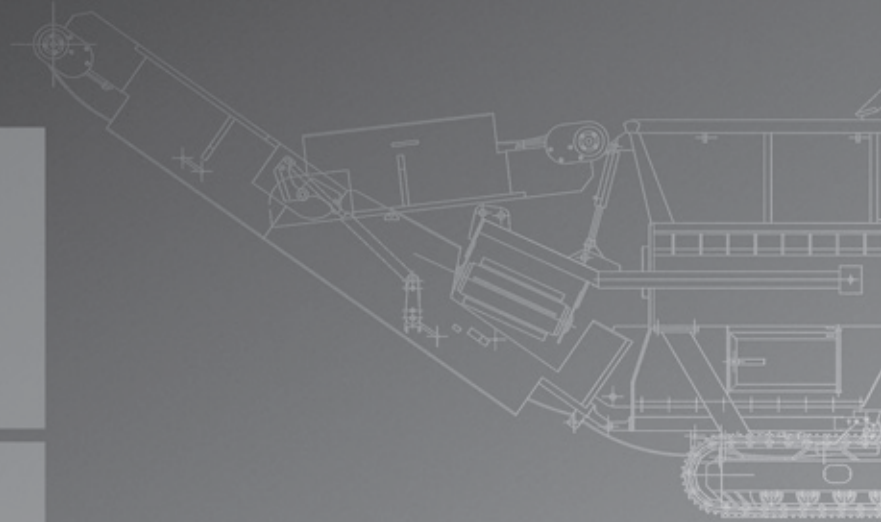
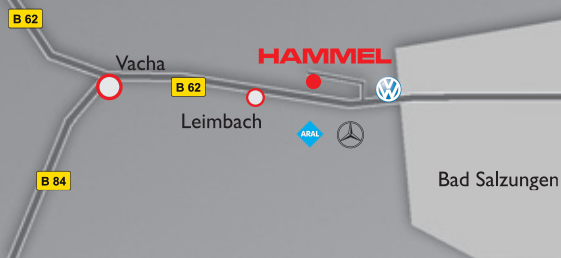
according to your company colour



HAMMEL - in Germany



Bad Salzungen



HAMMEL Recyclingtechnik GmbH
Leimbacher Straße 103
D-36433 Bad Salzungen

phone: +49 (0) 36 95/69 91-0
fax: +49 (0) 36 95/69 91-23
Internet: www.hammel.de
e-mail: info@hammel.de

