

GBL-X 920

GBL-X



GEHL®

Capacities		Metric
Wheelbase 2 wheels drive		2185 mm
Wheelbase 4 wheels drive		2130 mm
Weight and dimensions		
Unladen weight		7620 kg
Unladen weight with 4 WD		7620 kg
Unladen weight with 4 WD 7 in 1		7908 kg
Overall length	l1	7330 mm
Overall width	b1	2330 mm
Overall width with stabilizers extended - Center mount only		3910 mm
Cabin height	h6	2830 mm
Height of cab with air conditioning (option)	h6**	2860 mm
Overall height	h17	3790 mm
External turning radius over tyres (braked)	Wa1	3850 mm
External turning radius over tyres (unbraked)	Wa1	4200 mm
External turning radius over bucket (braked)	Wa5	5550 mm
External turning radius over bucket (unbraked)	Wa5	5700 mm
Standard tires front / rear		12.5 x 18 - 12 PR / 16.9 x 28-12PR
Optional tyre (front / rear)		9 x 16 - 16 PR / 14 x 25 - 20 PR
Reach at travelling	c2	2098 mm
Rear axle center to slew center	c3	1293 mm
Angle of Approach	a3	66 °
Ground clearance	m4	280 mm
Performances		
Travel speed forward 1st / 2nd		5.40 km/h / 8.60 km/h
Travel speed forward 3rd / 4th		19.90 km/h / 40 km/h
Engine		
Engine brand		Perkins
Engine model		1104C 44T Turbo Charged Water Cooled Tier-II
Max. capacity		4.40 l
Gross Power / Power		92 Hp @ 2200 rpm
Max. torque		395 Nm
Battery voltage / capacity		12 V / 75 Ah
Transmission		
Transmission brand		Carraro
Number of gears (forward / reverse)		4 / 4
Torque converter stall ratio		3.01:1
Service brake		Wet disc brakes
Hydraulics		
Hydraulic flow		142 l/min
Main relief pressure		225 bar
Tank capacities		
Hydraulic oil		90 l
Liquid cooling tank volume		16 l
Fuel tank		145 l
Transmission oil		17.50 l
Engine oil		9.10 l
Oil rear axle		17.50 l
Bucket		
Width backhoe bucket		722 mm
Loader standard capacity		1 m ³
Miscellaneous		
Power steering		Yes
Front steer axle of oscillation		2 °
Front steer axle of oscillation 2WD		20 °
Front steer axle of oscillation 4WD		16 °
Steering wheels (front / rear)		2 / 2

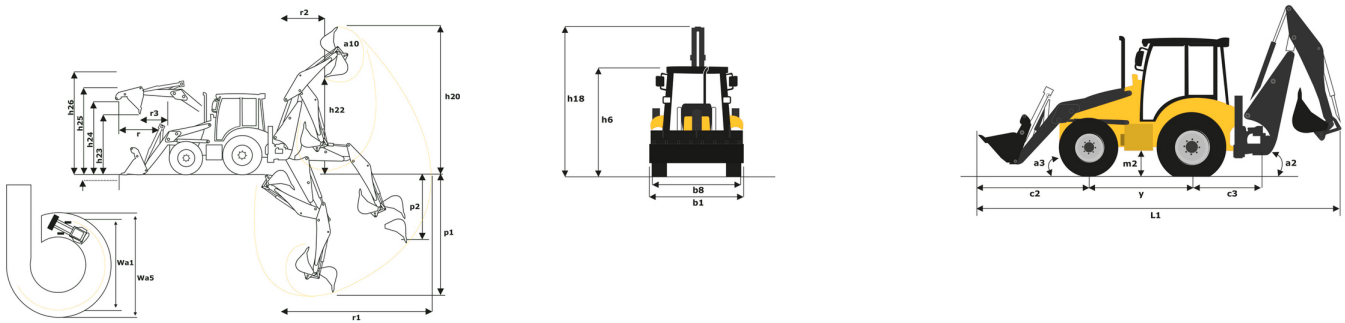
Performance backhoe

	Standard dipper	Extending dipper	
		Retracted	Extended
p1 - Max dig depth (mm)	4741	-	5815
r1 - Max reach ground level to slew center (mm)	5730	-	7019
r2 - Max loading reach (mm)	1996	-	4849
Max operating height (mm)	5626	-	6637
Max loading height (mm)	3871	-	4849
p2 - Max straight wall dig depth (mm)	2602	-	3991
a10 - Max bucket rotation (°)	194	-	194
Total side shift (mm)	1198	-	1198
Dipper tearout (kgF)	4336	-	2644
Bucket tearout (kgF)	5810	-	5219
Hydraulic lift capacity (kg)	1460	-	812

Performance loader

	Standard shovel	7-in-1 shovel
Max dump angle (°)	51	51
h26 - Max operating height (loader version) (mm)	4230	4230
h23 - Max dump height at 45° (mm)	2780	2780
h24 - Max loadover height (mm)	3310	3310
h25 - Max hinge pin height (mm)	3570	3570
r3 - Max reach at full height 45° (mm)	710	710
p3 - Below ground dig depth (mm)	156	156
a13 - Rollback at ground (°)	45	-
Shovel breakout (kgf)	5229	5229
Arms breakout (kgf)	5312	5312
Lifting capacity at full height (kg)	3819	3819

GBL-X 920 - Dimensional drawing





GEHL®

Siège Social
P.O. Box 179 - One Gehl Way - West Bend, WI, USA 53095
Tel: (262) 334-9461 - Fax: (262) 338-7517
www.gehl.com



This brochure describes versions and configuration options for Gehl products which may be fitted with different equipment. The equipment described in this brochure may be standard, optional or not available depending on version. Gehl reserves the right to change the specifications shown and described at any time and without prior warning. The manufacturer is not liable for the specifications given. For more information, contact your Gehl dealer. Non-contractual document. Product descriptions may differ from actual products. List of specifications is not comprehensive. The logos and visual identity of the company are the property of Gehl and may not be used without authorization. All rights reserved. The photos and diagrams contained in this brochure are provided for information only.

MANITOU EQUIPMENT AMERICAS, LLC - Limited company with board of directors - Share capital: 39,668,399 euros - 857 802 508 RCS West Bend