

PERFORMANCE DATA

PAVER (STAGE V)

BF 800 C-3



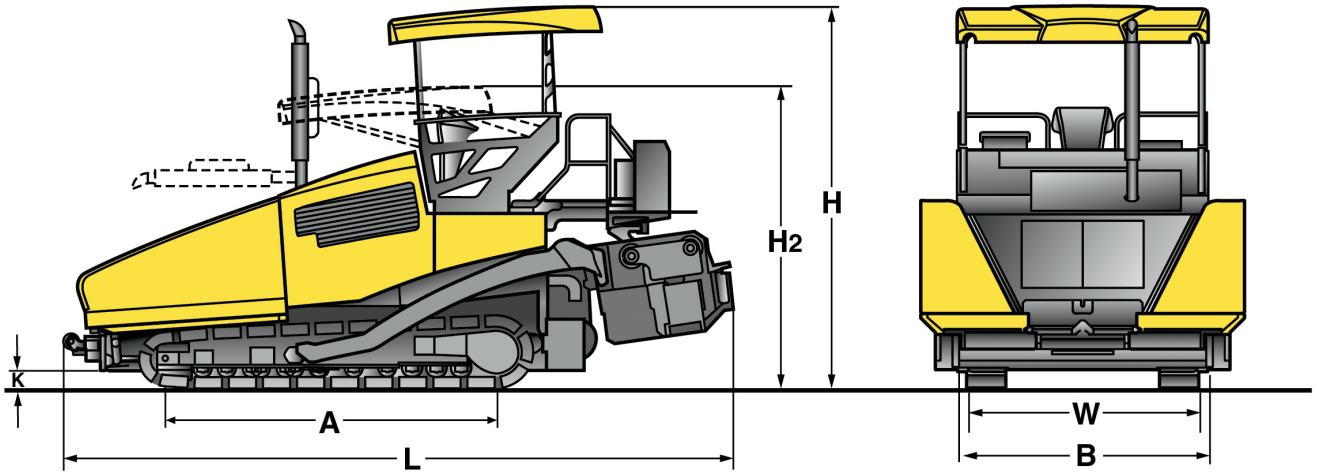
Greatest durability



Shorter set-up times



Exemplary efficiency



Dimensions in mm

	A	B	H	H₂	L	W
BF 800 C-3 S500	3360	2550	3865	3055	6800	2226
BF 800 C-3 S600	3360	3000	3865	3055	6800	2226



Save up to 17 % fuel – demand-driven hydraulics – with BOMAG ECOMODE.



Full control from the side. The integrated levelling controller and automatic inclination ensure perfect quality.



The new control centre. The intuitive operator interface not only provides all the necessary information, but also supports the operator with assistance functions.



The right position in any situation – the comfortable driver's cab with swivel seat concept.

Technical Data

BOMAG BF 800 C-3

Weight CECE

With S 500 screed / with S 600 screed kg 23000 / 23500

Dimensions

Transport length mm 6800
Transport width mm 2550 / 3000
Transport height mm 3020

Travel characteristics

Travel speed (1) km/h 0-4
Working speed (1) m/min 0-25

Drive

Engine manufacturer DEUTZ
Type TCD 6.1 L06
Exhaust classification Stage V / TIER 4f
Cooling liquid
Number of cylinders 6
Rated power ISO 3046 kW 140
Speed min⁻¹ 2000

Crawler assembly

Crawler track
-Axle base mm 3360
-Width mm 300

Hopper

Capacity m³ 7,2
Width (wings open) mm 3390
Width (wings closed) mm 2463
Length mm 2186
Filling height (middle) mm 560

Scraper belt

Number 2
Width mm 400
Speed min⁻¹ 64
Individual control Serie
Reversing operation Serie

Conveyor auger

->Number 2
->Auger diameter mm 400
->Rotary speed min⁻¹ 104
->Reversing operation Serie

Screed

Screed type S 500 / S 600
Screed type S 500 / S 600
Basic width retracted mm 2550 / 3000
Basic width extended mm 5000 / 6000
Max. working width mm 9000 / 10000
min. width with reduction skids mm 1650 / 2100
Mat thickness mm 300
Smoothing plate depth mm 400
Smoothing plate thickness mm 15
Heating Electric
Crown % -2,5 ... +4,5
Tamper frequency Hz 0-29
Vibration frequency Hz 20-58
Basic weight kg 4400 / 4900

Filling capacities

Fuel l 275
Hydraulic oil l 160

Standard Equipment

Operator compartment

- SIDEVIEW
- Driver's seat: with swivel and side-shift
- Dashboard protection
- Hydraulic hinged roof
- A-PAVE operating concept
- Intuitive operation through display
- Electronic machine management

Tractor

- ECOMODE
- Separate control of hopper wings
- Cleaning kit
- Hydraulic, height adjustable auger
- Track scraper
- 2 proportionally controlled and reversible wear-resistant cast augers, screw blades separately replaceable
- 2 independent and reversible scraper belts, high-wear resistant plates
- Rubber track pads

Screed

- L.C.S. Screed relief and traction increase system
- Screed temperature control
- MAGMALIFE Aluminium heating plates
- MAGMALIFE Automatic screed heating
- Hydraulic screed lock
- Crown adjustment
- Side control of auger/scraper belts
- Electronic side-mounted driver's stand with display
 - Crown profile and automatic inclination
 - Integrated levelling controller
 - Material calculator

Other

- Tools
- 8 LED work lights
- 30 kVA generator
- Socket 2 x 230 volt

Optional Equipment

Operator compartment

- Hydraulic/electric movable SIDEVIEW platform
- Windscreened platform
- Lateral Weather protection
- Comfort seat
- Seat heating
- Asphalt steam extraction
- Advanced operating concept

Tractor

- LED roof working lights
- Central lubrication system
- Optional paint finish
- Biologically degradable hydraulic oil
- Hydraulic hopper front flap
- Dampened push rollers
- Ultrasonic sensors for conveyor belt control
- Electric track scraper

Screed

- Hydraulic sideplates
- Hydraulic crown adjustment
- Hinged side plates
- Heated side plates
 - S 500 + S 600 extensions:
250 mm, 750 mm, 1250 mm
- Dosing plates
- Reduction shoes
- Edge shaper 45°/60°

Levelling systems

- Height and cross-slope sensing by means of ultrasonic or mechanical sensors

Other

- Fleet management BOMAG TELEMATIC
- Ballon light
- Joblink data interface
- Truck Dock, stop light system for communication with the truck
- Camera system
- Smart sensors for screed width, tow point and crown

