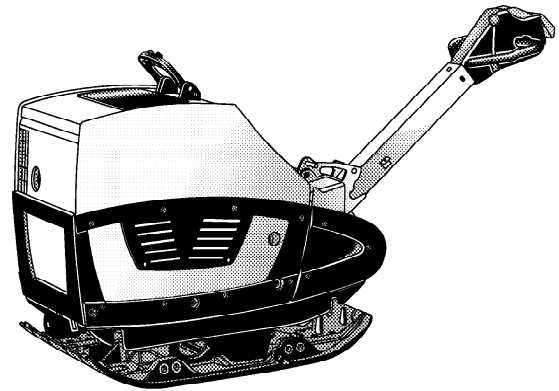


REVERSIBLE VIBRATORY PLATES BPR 70/70 D

PERFORMANCE DATA



Machine type	Compaction output (m ³ /h) at recommended soil layer thicknesses			
	Rock fill	Gravel, sand	Mixed soil	Silt, clay
BPR 70/70 D	39-52	50-66	39-52	33-44

Technical Data

Shipping dimensions in m3
BPR 70/70 D

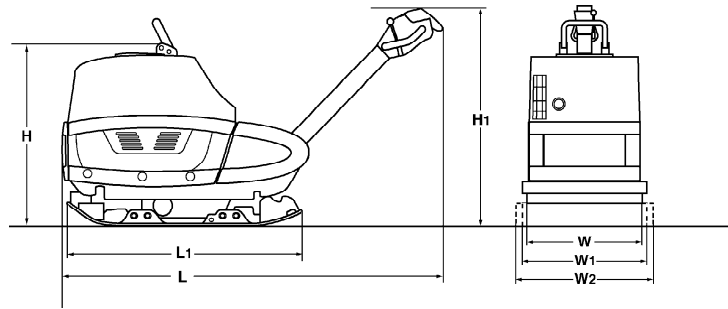
1,133

Standard

- Engine protection hood
- Electric starter
- Tip-Control
- Back-up drive protection
- Low vibration steering rod
- Height adjustable steering rod
- Steering rod lockable in transport and working position
- Vibration and throttle regulation on the steering rod
- Highly wear resistant base plate
- Automatic shutdown at low oil level
- Safety crank-handle for emergency starting
- Multi-functional, foldable single-point lifting facility
- Wear strips

Options

- ECONOMIZER
- Tool kit
- Special painting
- Hour meter
- Plastic mat
- Extension plates (850mm)
- Service Kit
- Environmentally compliant hydraulic oil



Dimensions in mm

	H	H1	L	L1	W	W1	W2
BPR 70/70 D	870	1030	1860	980	550	700	850

Technical Data

Weights

Operating weight CECE (W)	kg	556
Operating weight CECE (W1)	kg	579
Operating weight CECE (W2)	kg	595
Basic weight	kg	570

Dimensions

Basic working width	mm	700
Working width without extension bars (W)	mm	550
Lowest passing height	mm	870

Driving Characteristics

Working speed, max.	m/min	28
Max. gradeability (depending on soil conditions)	%	35

Drive

Engine manufacturer		Hatz
Type		1D 81
Cooling		air
Number of cylinders		1
Performance ISO 9249	kW	9,8
Speed	min-1	2.700
Drive system		mech.
Fuel		diesel

Exciter system

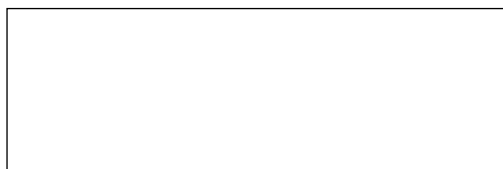
Frequency	Hz	68
Centrifugal force	kN	70

Capacities

Fuel	l	10
------	---	----

Technical modifications reserved. Machines may be shown with options.

BOMAG
BPR 70/70 D



BOMAG
Hellerwald
D-56154 Boppard
P.O. Box 5162
Tel. (0)6742 - 1000
Fax (0)6742 - 3090
Fax (0)6742 - 3090

BOMAG
FAYAT GROUP