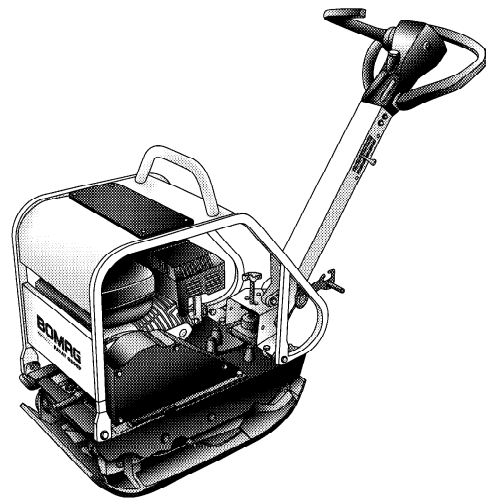


REVERSIBLE VIBRATORY PLATES BPR 25/40, BPR 25/50

PERFORMANCE DATA



Machine type	Compaction output (m ³ /h) at recommended soil layer thicknesses			
	Rock fill	Gravel, sand	Mixed soil	Silt, clay
BPR 25/40	-	15-24	13-20	8-12
BPR 25/50	-	15-24	13-20	8-12

Technical Data

Shipping dimensions in m3

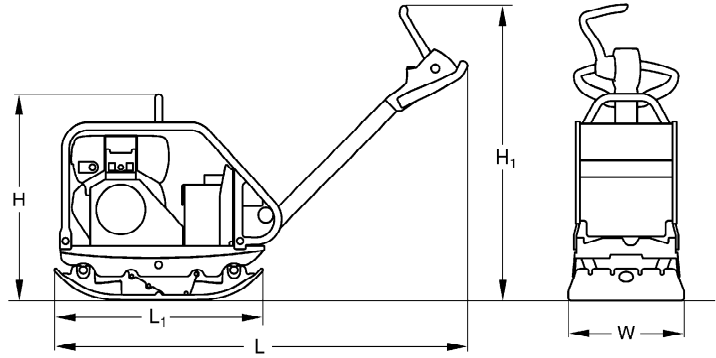
BPR 25/40	0,385
BPR 25/50	0,482

Standard

- Engine protection frame
- Single lever control
- Low vibration steering rod
- Height adjustable steering rod
- Steering rod lockable in transport and working position
- Vibration and throttle regulation on the steering rod
- Highly wear resistant base plate
- Fully protected V-belt
- Recoil starter
- Back-up drive protection
- Automatic shutdown at low oil level

Options

- Sprinkler system
- Tool kit
- Special painting
- Plastic mat
- Transport wheels
- Service Kit



Dimensions in mm

	H	H1	L	L1	W
BPR 25/40	660	870	1460	650	400
BPR 25/50	660	870	1460	650	500

Technical Data

Weights

Operating weight CECE (W)	kg	111	120
Basic weight	kg	108	117

Dimensions

Basic working width	mm	400	500
Lowest passing height	mm	660	660

Driving Characteristics

Working speed, max.	m/min	25	25
Max. gradeability (depending on soil conditions)	%	30	30

Drive

Engine manufacturer		Honda	Honda
Type		GX 160	GX 160
Cooling		air	air
Number of cylinders		1	1
Performance ISO 9249	kW	3,6	3,6
Speed	min-1	3.600	3.600
Drive system		mech.	mech.
Fuel		gasoline	gasoline

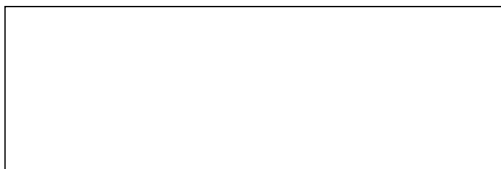
Exciter system

Frequency	Hz	85	85
Centrifugal force	kN	25	25

Capacities

Fuel	l	3	3
Water	l	12	12

Technical modifications reserved. Machines may be shown with options.



BOMAG
 Hellerwald
 D-56154 Boppard
 P.O. Box 5162
 Tel. (0)6742 - 1000
 Fax (0)6742 - 3090
 Fax (0)6742 - 3090

BOMAG
FAYAT GROUP