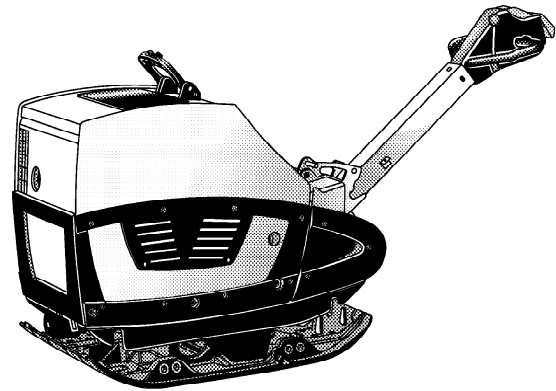


REVERSIBLE VIBRATORY PLATE BPR 100/80 D

PERFORMANCE DATA

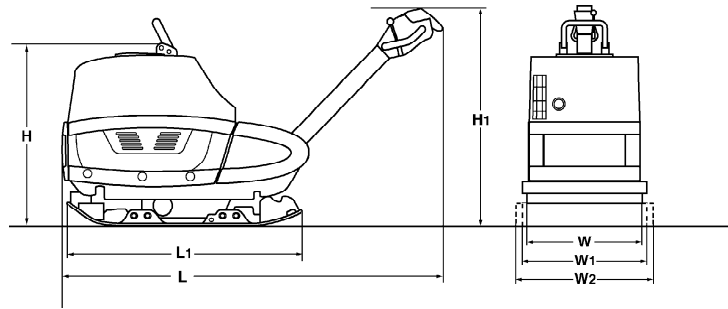


Machine type	Compaction output (m ³ /h) at recommended soil layer thicknesses			
	Rock fill	Gravel, sand	Mixed soil	Silt, clay
BPR 100/80 D	70-110	90-120	60-90	25-40

Technical Data

Shipping dimensions in m3
BPR 100/80 D

1,376



Standard

- Engine protection hood
- Electric starter
- Tip-Control
- Low vibration steering rod
- Height adjustable steering rod
- Steering rod lockable in transport and working position
- Vibration and throttle regulation on the steering rod
- Back-up drive protection
- Highly wear resistant base plate
- Automatic shutdown at low oil level
- Safety crank-handle for emergency starting
- Multi-functional, foldable single-point lifting facility
- Wear strips

Options

- ECONOMIZER
- Tool kit
- Special painting
- Hour meter
- Extension plates (950mm)
- Service Kit
- Environmentally compliant hydraulic oil

Dimensions in mm

	H	H1	L	L1	W	W1	W2
BPR 100/80 D	910	1080	1890	980	650	800	950

Technical Data

Weights

Operating weight CECE (W)	kg	687
Operating weight CECE (W1)	kg	712
Operating weight CECE (W2)	kg	726
Basic weight	kg	707

Dimensions

Basic working width	mm	800
Working width without extension bars (W)	mm	650
Lowest passing height	mm	910

Driving Characteristics

Working speed, max.	m/min	28
Max. gradeability (depending on soil conditions)	%	35

Drive

Engine manufacturer		Hatz
Type		1D 90
Cooling		air
Number of cylinders		1
Performance ISO 9249	kW	11
Speed	min-1	2.600
Drive system		mech.
Fuel		diesel

Exciter system

Frequency	Hz	56
Centrifugal force	kN	100

Capacities

Fuel	l	10
------	---	----

Technical modifications reserved. Machines may be shown with options.

BOMAG BPR 100/80 D

BOMAG
Hellerwald
D-56154 Boppard
P.O. Box 5162
Tel. (0)6742 - 1000
Fax (0)6742 - 3090
Fax (0)6742 - 3090

BOMAG
FAYAT GROUP