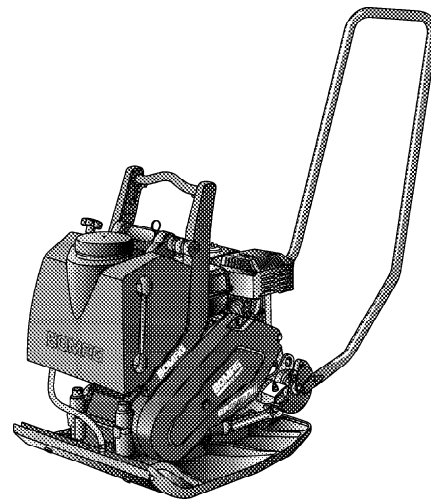


SINGLE DIRECTION VIBRATORY PLATE BP 12/50 A

PERFORMANCE DATA

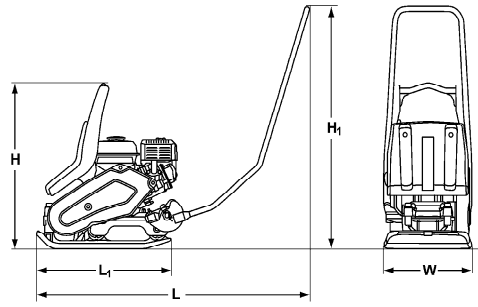


Machine type	Compaction output (t/h) at different asphalt layer thicknesses		
	2-4 cm	6-8 cm	10-14 cm
BP 12/50 A	5-10	11-15	

Technical Data

Shipping dimensions in m3
BP 12/50 A

without cabin with cabin
0,195 0,285



Standard

- Sprinkler system
- Vibration insulated steering bow, foldable
- Detachable steering handle
- Highly wear resistant base plate
- Automatic shutdown at low oil level
- Recoil starter
- Reinforced centrifugal clutch
- Single point lifting device
- Fully protected V-belt
- Carrying handles

Dimensions in mm

	H	H1	L	L1	W
BP 12/50 A	658	962	1084	545	500

Options

- Transport wheels
- Tool kit
- Special painting
- Service Kit
- Steering handle centre-position

Technical Data

**BOMAG
BP 12/50 A**

Weights

Operating weight CECE	kg	75
Basic weight	kg	74

Dimensions

Working width	mm	500
---------------------	----	-----

Driving Characteristics

Working speed, max.	m/min	22
Max. gradeability (depending on soil conditions)	%	30

Drive

Engine manufacturer		Honda
Type		GX 120
Cooling		air
Number of cylinders		1
Performance ISO 9249	kW	2,6
Speed	min-1	3.600
Drive system		mech.
Fuel		gasoline

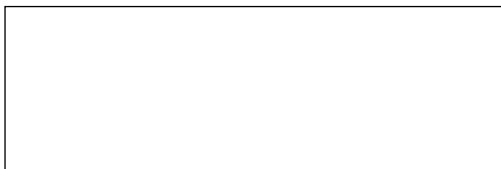
Exciter system

Frequency	Hz	90
Centrifugal force	kN	12

Capacities

Fuel	l	2
Water	l	13,5

Technical modifications reserved. Machines may be shown with options.



BOMAG
Hellerwald
D-56154 Boppard
P.O. Box 5162
Tel. (0)6742 - 1000
Fax (0)6742 - 3090
Fax (0)6742 - 3090

BOMAG
FAYAT GROUP